



Hi-Tech Systems

1190 N. Del Rio Pl., Ontario, CA 91764

www.hitechpolyurea.com

POWER SHAYER MANUAL

U.S. PATENT APPLICATION NO. 15/421,200

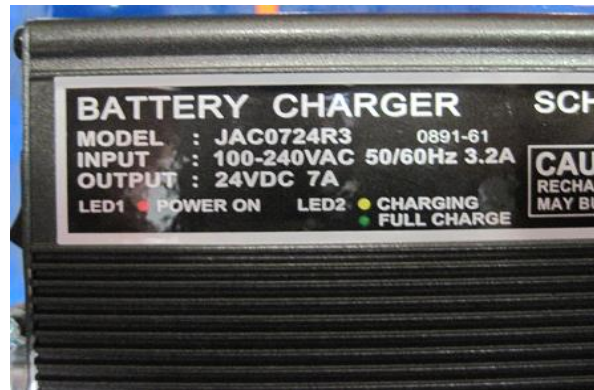
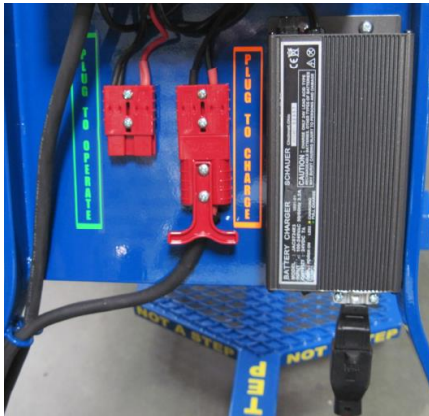


SAFETY

1. Become completely familiar with the Hi-Tech Power Shaver before operation.
2. Keep hands/clothing free from all moving chains, gears and moving parts.
3. Keep clear of the razor blade at the head of the machine.
4. Never alter the machine from its original condition for safety purposes.
5. Always start slow and get used to the specific floor you are working on before ramping up to full speed.
6. Keep an eye out at all times for other people, equipment and structures. It will be necessary at times to get off the machine and move items or warn others.

OPERATION

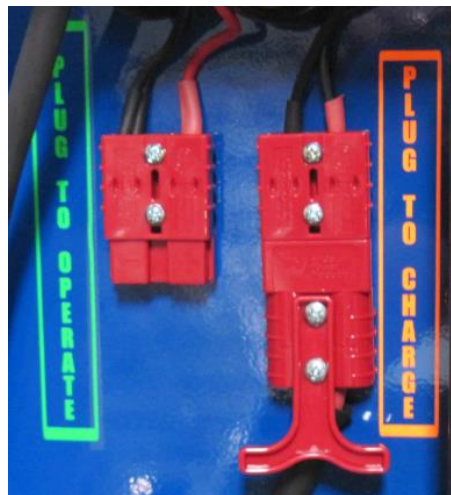
1. Check all connections, ensure the batteries are fully charged by using the quick connects to the battery charger and plugging the charger into a grounded 110v outlet. Turn on the battery charger switch located next to the plug. Red light is on, yellow light is charging and green light is fully charged.



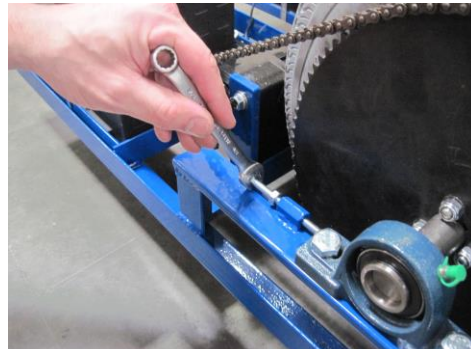
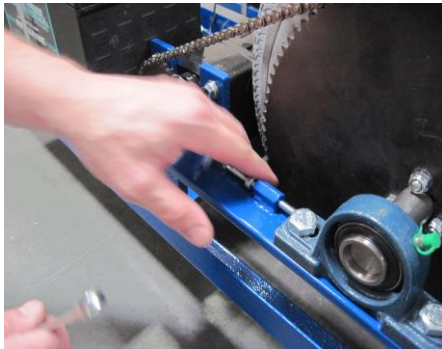
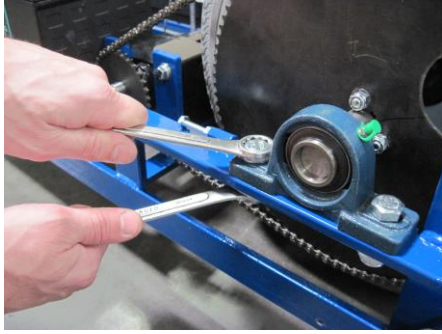
2. Tire pressure should be 5 – 10 psi depending on conditions. Lower pressure for slick floors. Tire valve is accessed through hole in large sprocket on drive side.



3. Change quick connects to the proper connection to run the machine.



4. Chain adjustment: remove the cover, loosen the pillow block bearing mounts on each end of the axle and equally adjust the tensioners until the chain is fairly taut.



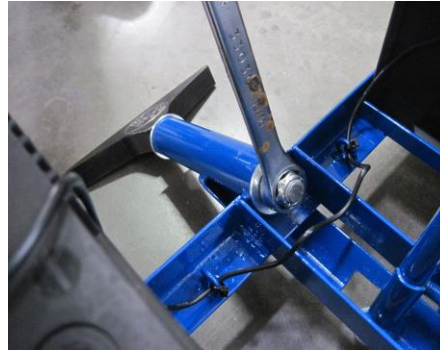
5. Pillow bearings need to be occasionally greased using the grease fittings, and the chain should be regularly oiled.



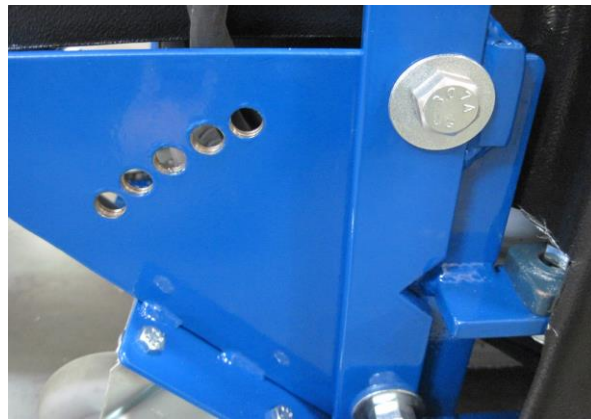
6. Secure ride along platform to the machine with the coupler and pin. To open the coupler latch, first push down to disengage. If the pin is lost, use a bolt and nut as seen below.



7. Raise the front end of the machine and secure with the kick stand. Insert a new/sharp 8" blade into the shaver head. The shaver head swivels to follow the contour of the floor and to allow it to be flipped over regularly to keep the blade edge sharp. Occasionally tighten the 5/8" nut on the shaver bearing.



8. Stand on the platform and push down on the handlebars to raise and lower the front end. If this is not easy, as it should be, then adjust the height by changing the threaded bolts at the base to one of the other locations. If the ride along platform is not being used, the lowest handle setting is probably best.



9. Attach the kill switch tether clip to the operator.



10. Turn on the main power switch, located on the aluminum box. The green light will illuminate when the unit is turned ON. The forward and reverse switch is located on the left side of the handlebars.



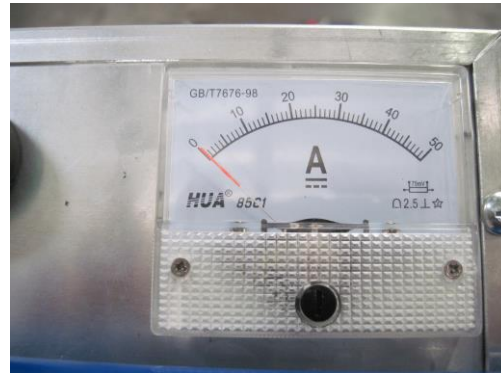
11. The variable speed thumb drive is on the right side of the handlebars. Slowly push to engage the motor. The harder it is pushed, the faster it will go until it reaches its maximum set limit. It is easiest to reverse when the shaver head drags on the ground rather than raising the handlebars.



12. When finished, turn "OFF" the main power and the green indicator light will turn off. Failure to do so will result in low to dead battery life.
13. When starting over filled joints, push down on the handlebars while speeding up and then drop the front end to dig in and start shaving the joints. If starting at the beginning of a joint there is no need to lift the head off the floor. Pop over all intersections while maintaining speed or you may break the razor blade or damage the concrete by jamming into the perpendicular joint wall. Leaving blade on the floor, shave intersections at a 45° angle.



14. Stop by letting off the thumb drive. Every jobsite condition is different so practice stopping before you need to really stop. Completely stop before switching to reverse.
15. Reverse by flipping the lever into reverse and use the variable speed thumb drive for power. Use caution at all times, especially in reverse. It is easiest to leave the head on the floor when reversing and turning in either reverse or forward. While operating, regularly check the amps - keep them under 18 if possible. Prolonged higher amperage could burn out and/or shorten the life of the motor due to excessive heat generation. It may be necessary to allow the motor to cool at times.



CLEANING/MAINTENANCE

1. Wipe down machine.
2. Grease pillow bearings on the axle, charge batteries, check tire pressure and oil chain.
3. For detailed instructions, please view the videos on our website, www.hitechpolyurea.com.

SPECIFICATIONS - SHAVER

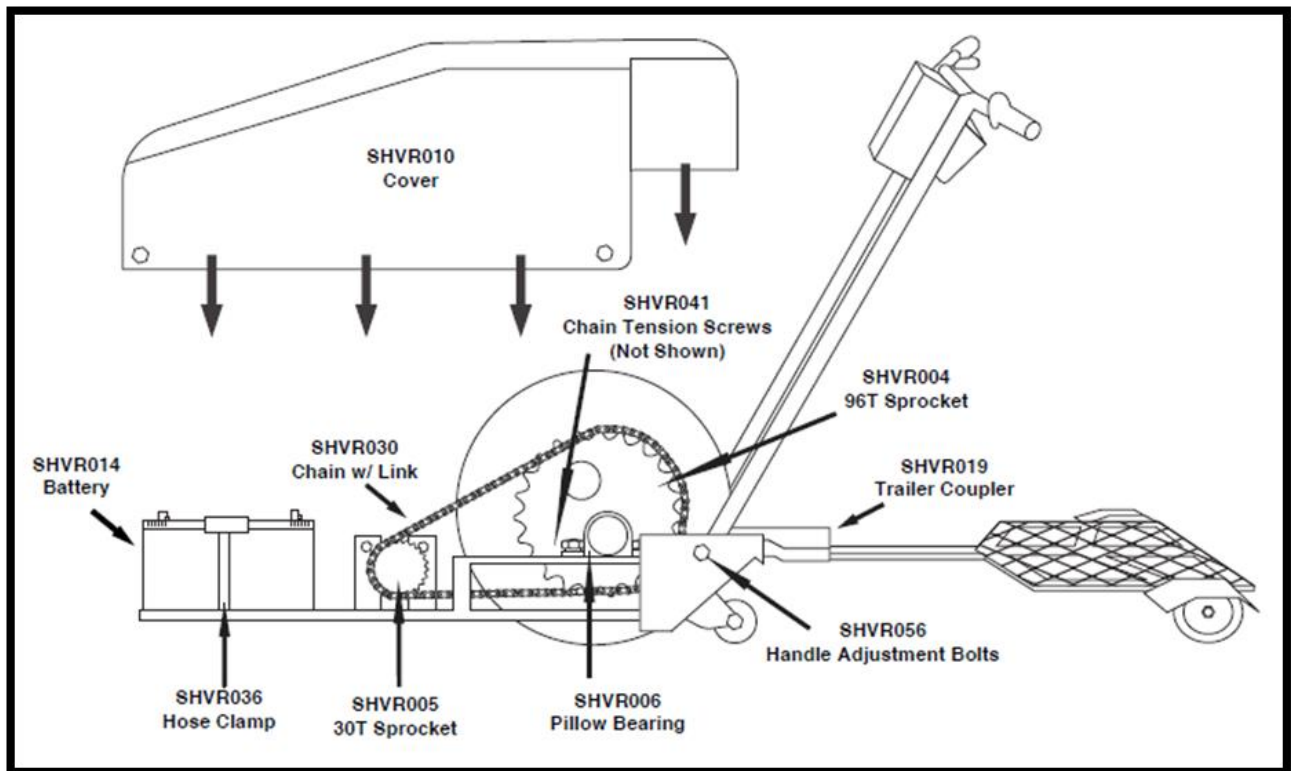
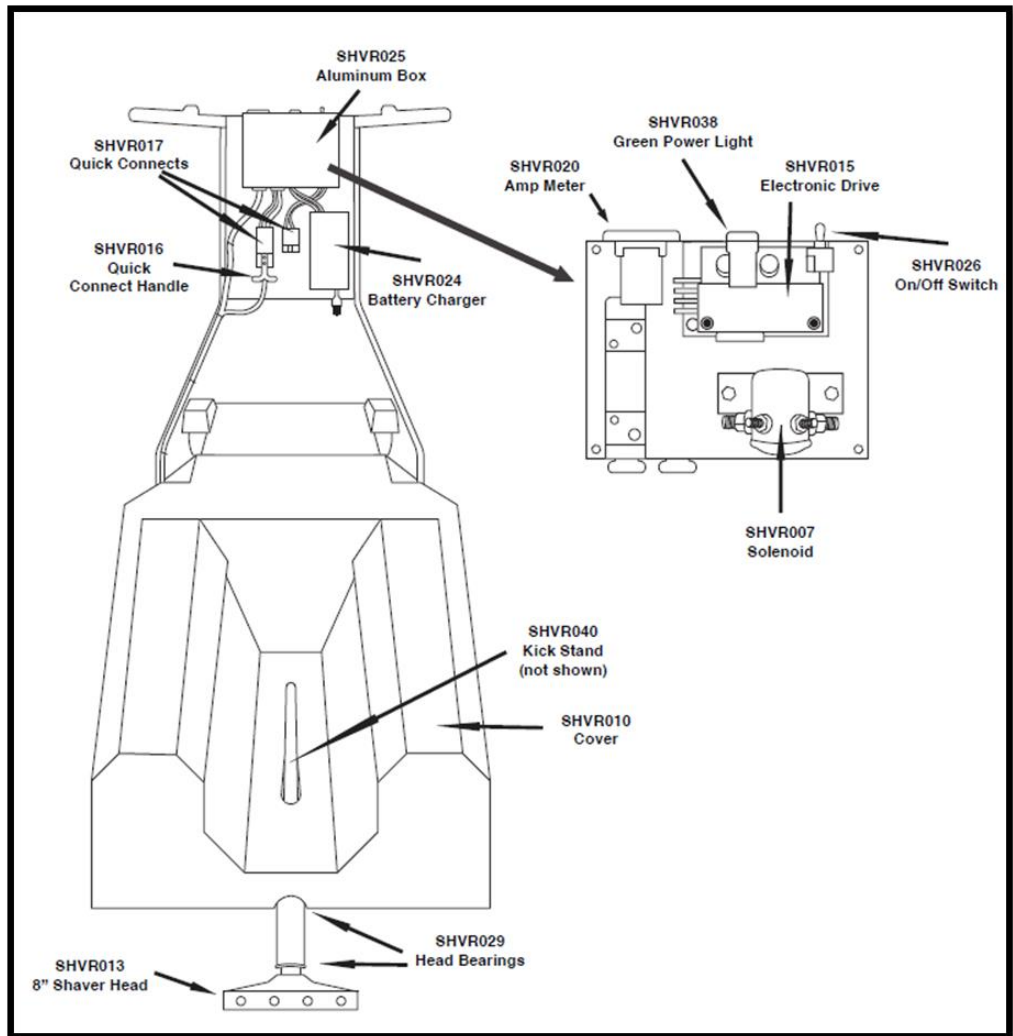
1. Weight: 300 lbs. Height: +/- 40" depending on handle adjustment. Width: 27-1/2". Length: 67"
2. Motor: 1/2 HP 124 in.-lbs Torque, DC Gear motor
3. Low Voltage Regenerative DC Drive
4. Wheels: 18.5 x 8.50-8 non-marring gray 6 ply tires on solid steel wheels and 3-1/2" non-marring gray balloon cushion wheels on the frame for transporting without power
5. Shaver head: 8" Hi-Tech swivel head mounted on an axle with bearings
6. 24 volt system: (2) 12 volt, 105 amp deep cycle batteries, 24 volt 7 amp charger with quick connects

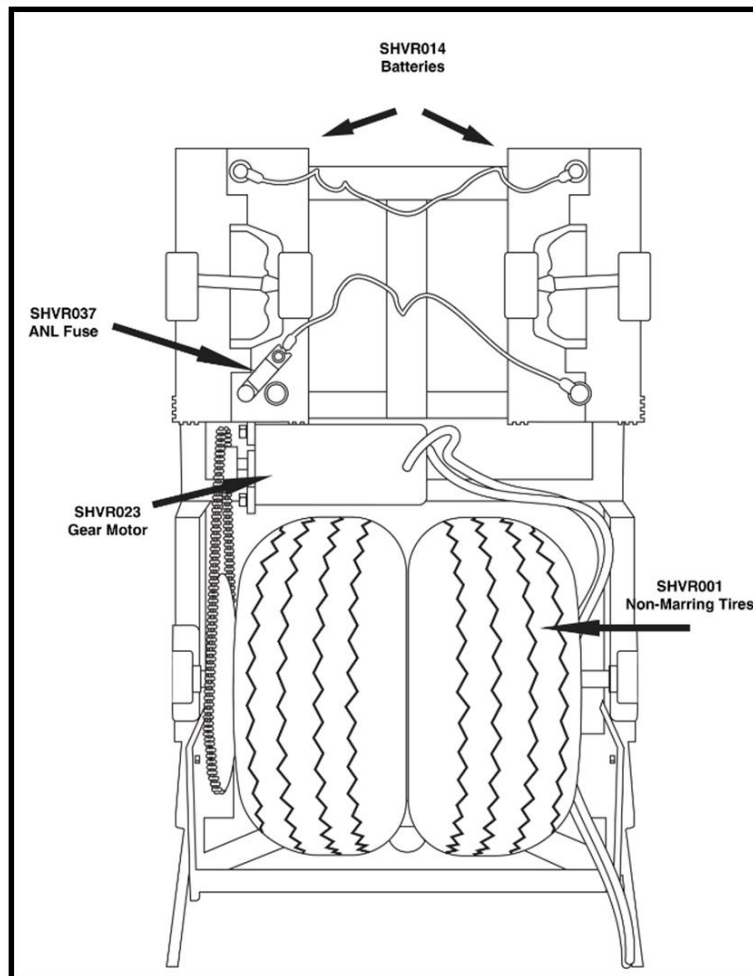
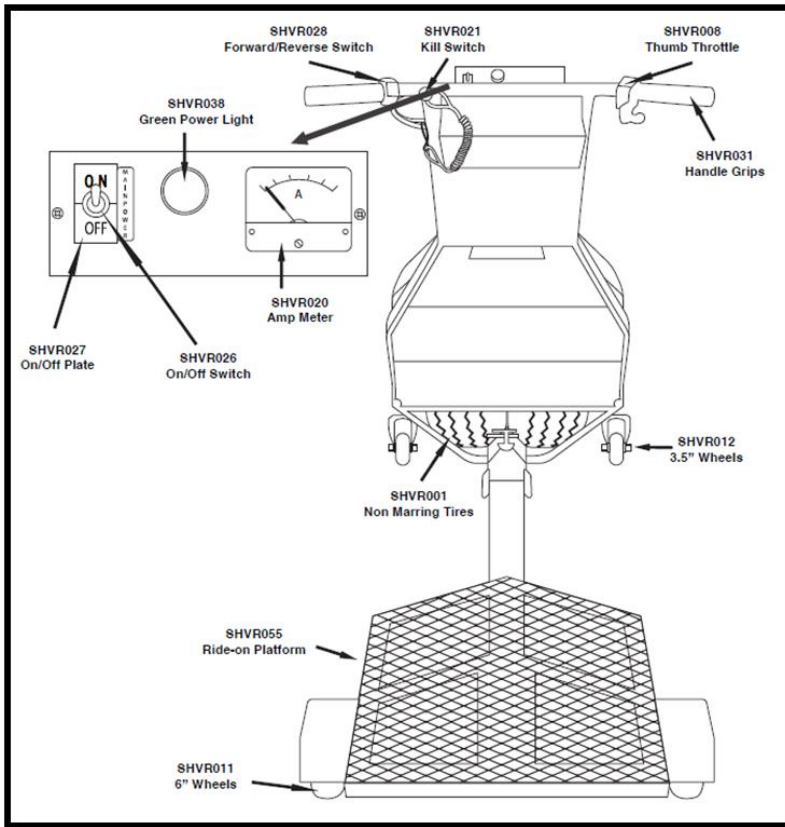
SPECIFICATIONS – RIDING PLATFORM

1. Weight: 30 lbs. Height: 6-1/2". Width: 26". Length: 44" (Platform + Shaver is 9'2" in length)
2. Wheels: 6" non-marring gray balloon cushion wheels

SCHEMATICS

Following page views are Front, Side, Rear and Top in that order:





SIX MONTH LIMITED WARRANTY

Hi-Tech Systems (HTS) will repair or replace, at its expense and its option, any part of the Power Shaver, which in the course of normal use has proven to be defective in workmanship or material, provided that the customer returns the product prepaid to HTS within six (6) months from the date of the original purchase and provides HTS with a reasonable opportunity to verify the alleged defect by inspection. Parts may need to be sent to the manufacturer for inspection and repair or replacement. HTS will not be responsible for any asserted defect, which has resulted from misuse, abuse or repair or alteration made or specifically authorized by anyone other than HTS. Under no circumstances will HTS be liable for incidental or consequential damages resulting from defective products. This warranty is HTS's sole warranty and sets forth the customer's exclusive remedy, with respect to defective products; all other warranties, express or implied, whether or merchantability, fitness for purpose, or otherwise, are expressly disclaimed by HTS.