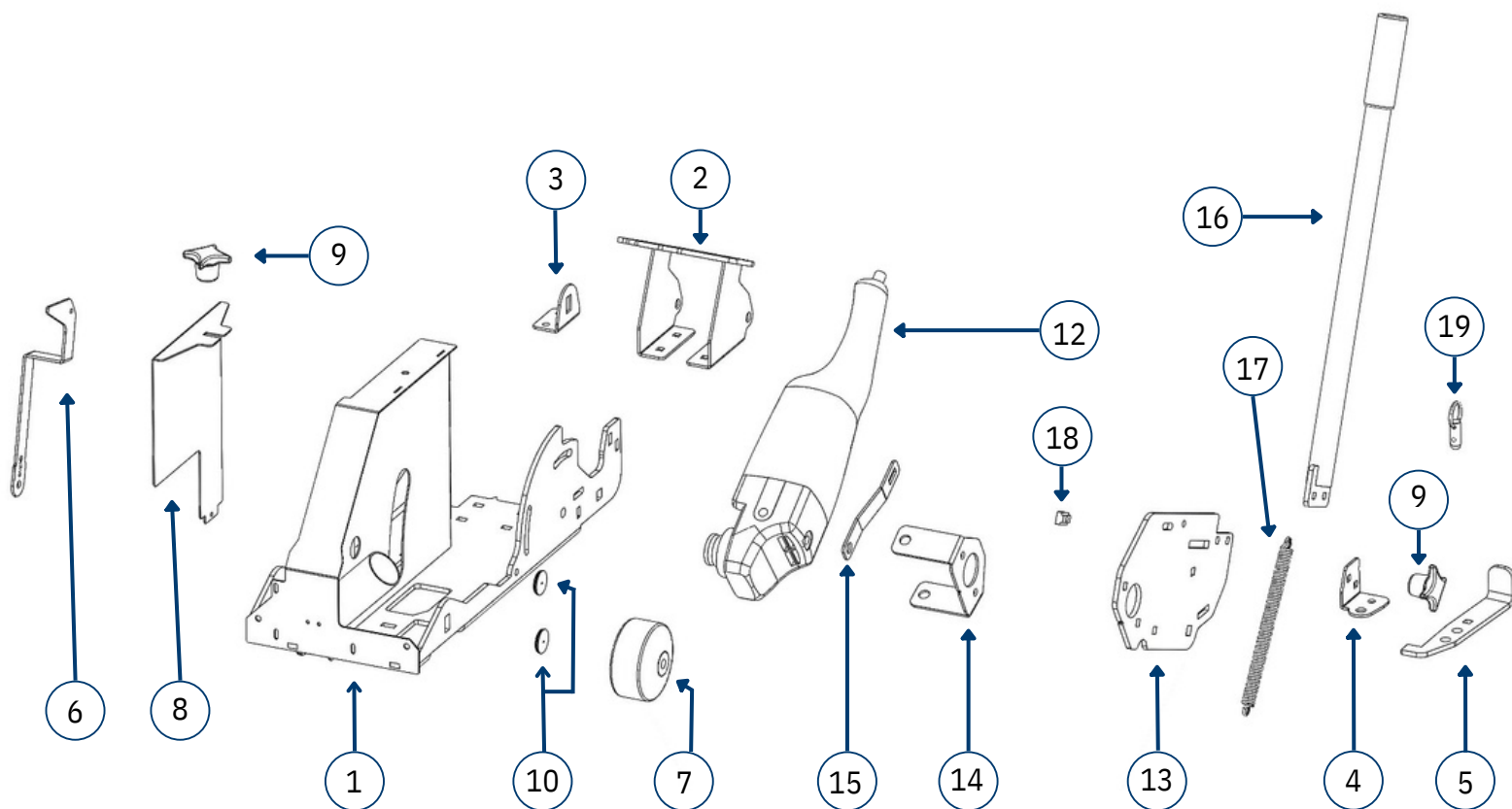


HT-10 Joint Cleanout Saw

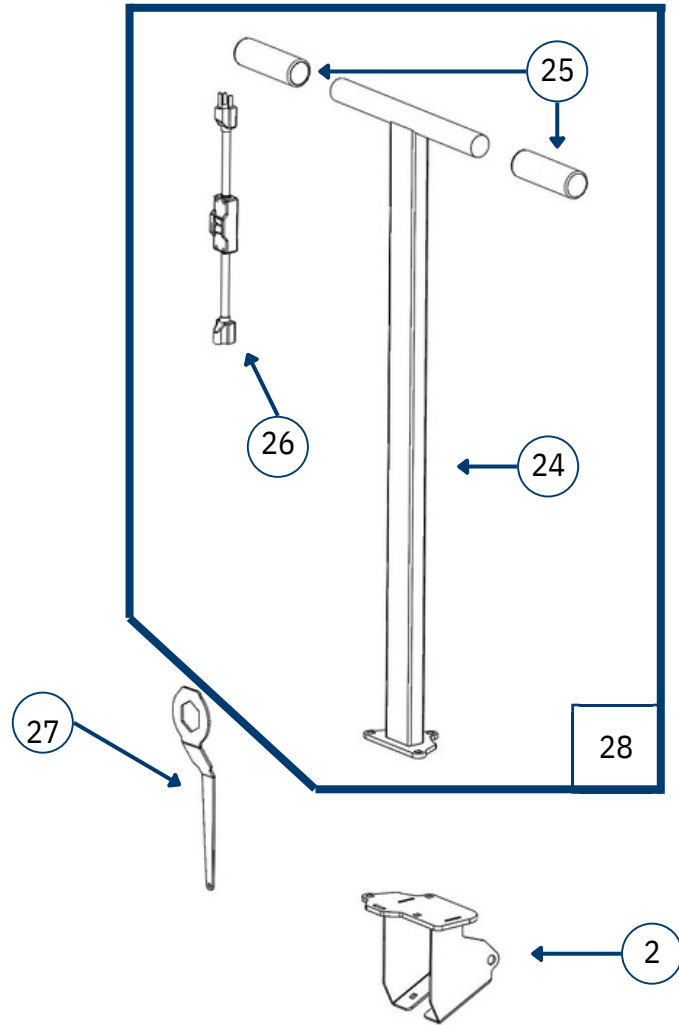
Product Manual



Parts Diagram



Part #	Description
10 - 1	Saw Base
10 - 2	Handle/Rear Wheel Mount
10 - 3	Adjustable Front Wheel Mount
10 - 4	Motor Foot Lock Mount
10 - 5	Motor Foot Lock
10 - 6	Blade Pointer
10 - 7	Wheels (sold individually)
10 - 8	Blade Guard
10 - 9	4-Arm Knob
10 - 10	Hole Plug
10 - 11	Rubber Dust Deflector (Not Shown)
10 - 12	Powerhead
10 - 13	Motor Mounting Plate
10 - 14	Motor Mount
10 - 15	Center Motor Mount
10 - 16	Lift/Lower Handle
10 - 17	Tension Spring
10 - 18	Depth Stop
10 - 19	Detent Pin
10 - 20	Optional Wide Joint Clean-Out Dust Box (Not Shown)



Part #	Description
10 - 24	Saw Handle
10 - 25	Handle Grips (sold individually)
10 - 26	Electrical Box
10 - 27	Blade Wrench
10 - 28	Complete Handle Assembly

HT-10 Joint Cleanout Saw Set-Up

DANGER
**ELECTRICAL
 SHOCK HAZARD**

Warnings!

These instructions are only intended to show you the set-up of our saw. Do not use until you have been trained on how to properly operate a walk behind concrete saw.



Stay clear of others while in operation. Debris can fly from blade area. Eye and face protection required.



Respirator required. Operate in well ventilated area.



Ear protection required.

Set-Up: Red Arrows (Fig. 1)

1. Install the control and lift handle as shown in Fig. 1
2. Hang cord on handle cord rest, secure on rest using the factory-provided twist tie.
3. Apply powerhead trigger lock, plug cord into the electrical box

Never leave the unit plugged in while unattended or while

Replacing the Blade

Blade Installation: Green Arrows (Fig. 2)

1. Unplug the power cord from the electrical box. Remove the blade guard.
2. Remove the outer blade clamp and install the blade.
3. Firmly tighten the blade.

We recommend an 8" blade (9" maximum)

Blade Pointer Alignment: Blue Arrows (Fig. 2)

1. After proper blade installation, align the rear pointer and the blade with a known straight edge.
2. Using the supplied washer/shims align the front pointer to the known straight edge. Be sure to tighten the front pointer bolt.

Feature Call Outs: Yellow Arrows (Fig. 3)

- 2-inch dust port: Minimum 250 CFM required
- Blade depth adjustment knob. Loosen knob and slide left or right to set blade depth.
- Foot lever locks the motor in the up position. Be sure to install the lock-out pin while not in use and for transportation.

Figure 1

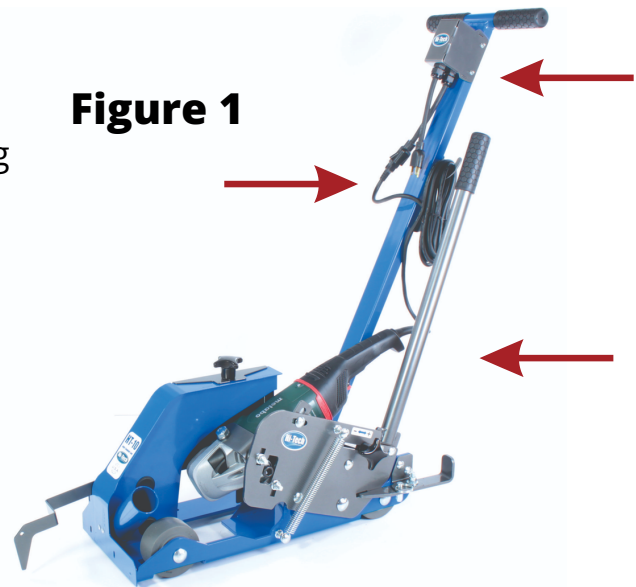


Figure 2

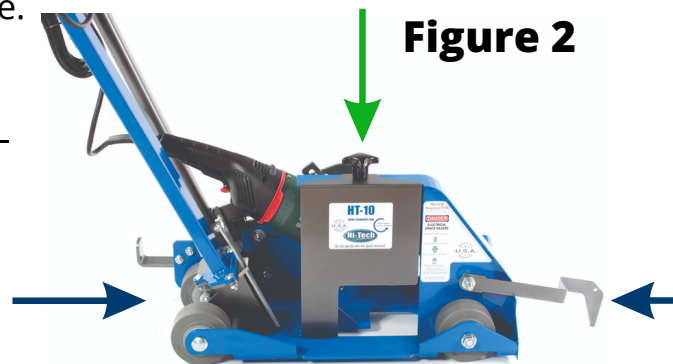


Figure 3

